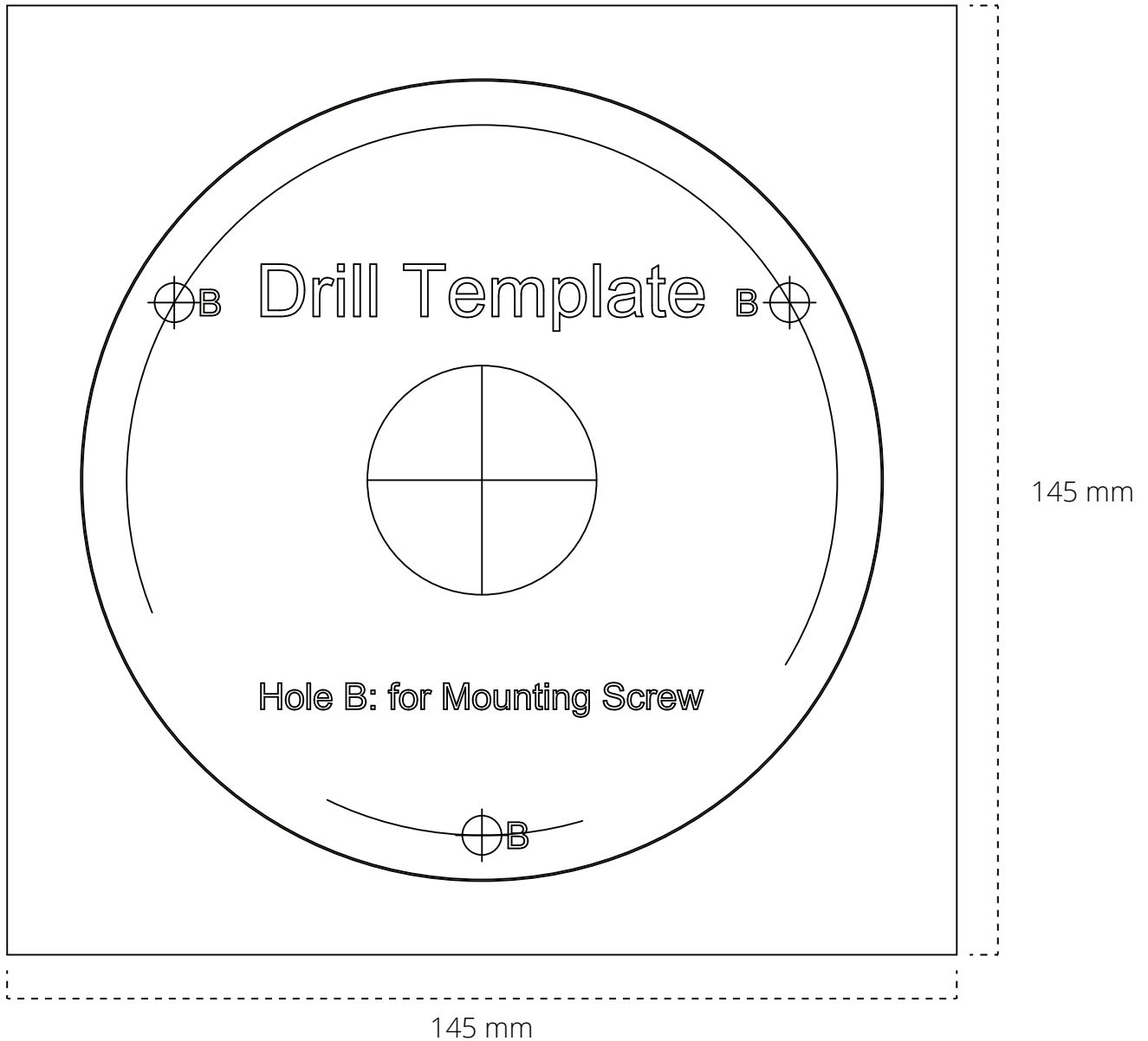


Electrical Mounting Box Drill Template
for use with the following models:

Warrior 2.0 - 26BF2

Warrior 4.0 - 26BF4



****Make sure that your printer is set to print at 100% scale**
Do NOT resize or rescale the image.**